

## GM-STHL Square "T" Handle Latch

### Features

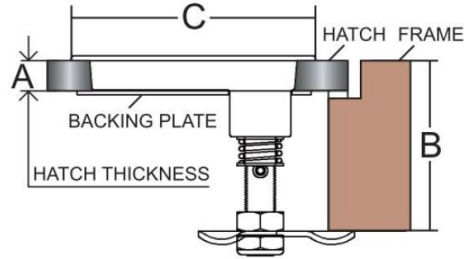
- Watertight
- Spring loaded handle for anti-rattle operation
- Simple rectangle installation cutout
- Hidden fasteners
- Strike plate is included and installed under frame which helps compress hatch

### Material

- Stainless steel 316

### Notes

- Uses screw size #10



| Part No.        | Type        | A      | B       | C  |
|-----------------|-------------|--------|---------|----|
| GM-STHL-J021243 | Non Locking | 4 ~ 15 | 55 ~ 70 | 97 |
| GM-STHL-J121423 | Locking     |        |         |    |

## GM-CRTHL Compression Round "T" Handle Latch

### Features

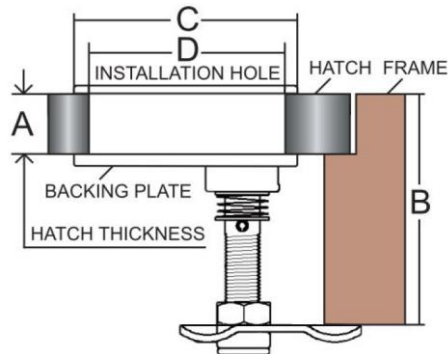
- Watertight
- Spring loaded handle for anti-rattle operation
- When handle is pressed down, pawl will be raised to compress hatch
- Ideal for gasketed hatches
- GM-CRTHL-J507557 is designed for aluminum boat applications, it includes 2 mm spacer which can be installed under flange for waterproofing and isolating stainless steel from aluminium

### Material

- Stainless steel 316

### Parts Included

- Installation screws (size #8)
- 7 mm spacer



| Part No.         | Type        | Finish | A      | B       | C  | D  |
|------------------|-------------|--------|--------|---------|----|----|
| GM-CRTHL-J507554 | Non Locking | Bright | 6 ~ 16 | 58 ~ 82 | 79 | 70 |
| GM-CRTHL-J507555 |             | Dull   |        |         |    |    |
| GM-CRTHL-J507557 | Locking     | Dull   | 4 ~ 9  |         |    |    |